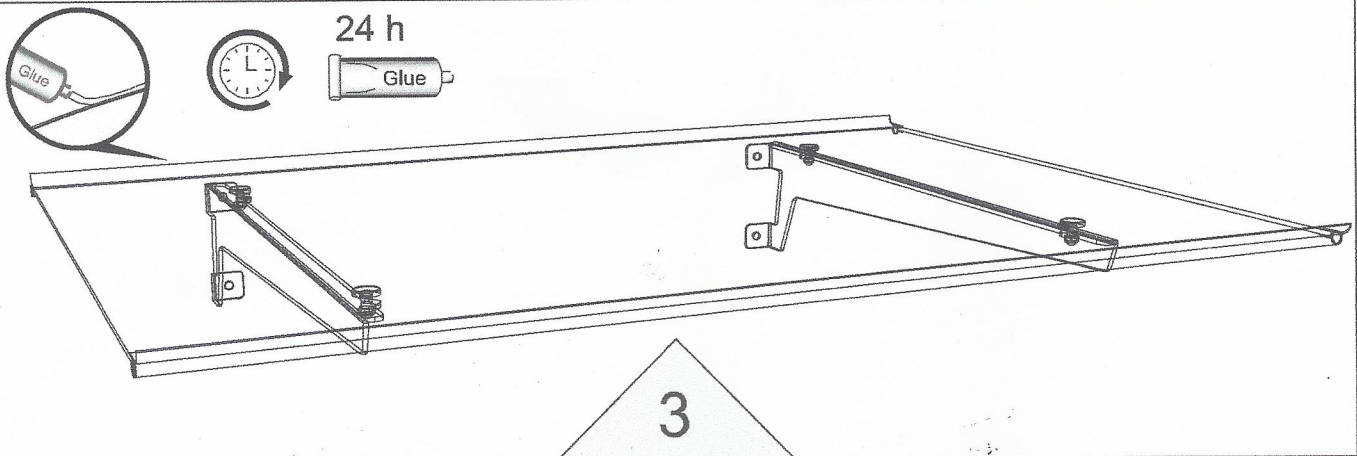
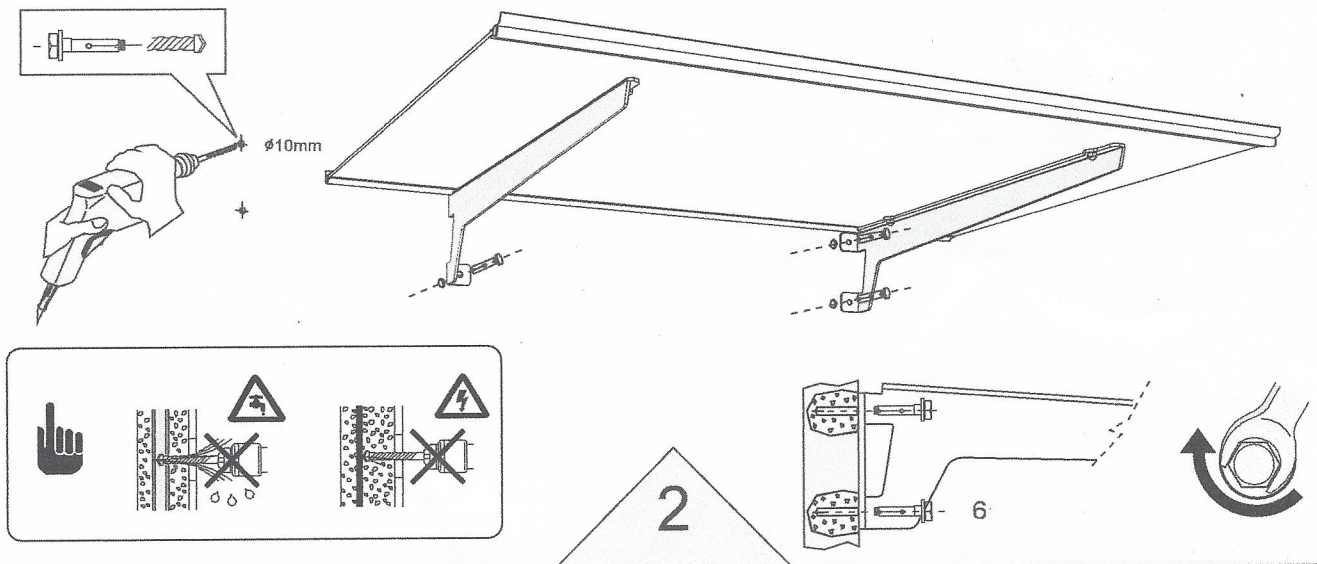
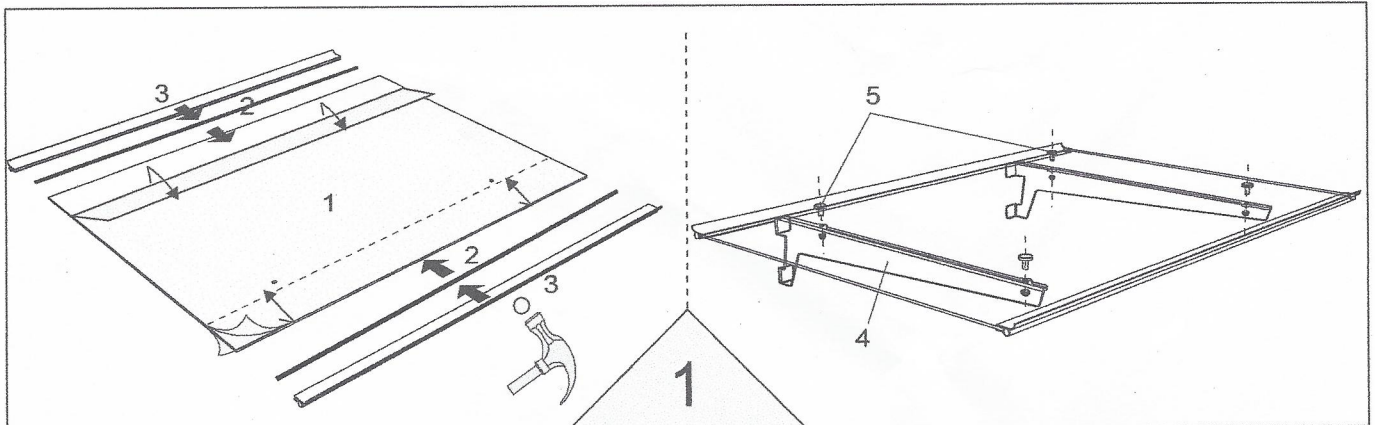


# Assembling Instruction



1		1X	4		2X
2		2X	5		4X
3		2X	6		4X